



80x80x20 mm/3.15x0.8 inch, 40~27 CFM

TD8020 General specification



- Motor: Brushless DC, impedance protected, auto cutoff auto restart optional only
- Motor Protection:
- Frame: Glass fiber reinforced PBT thermoplastic, UL94V-0
- Impeller: Glass fiber reinforced PBT thermoplastic, UL94V-0 impeller
- Bearing: Double sealed high precision ball bearing
- Rotation: CCW looking at rotor, air inlet side of housing
- Operating Temp: Ball bearings -20C~+70C
- Storage Temp:
- Life Expectancy: Ball bearings 60,000 hours at 45C, 50,000 hours at 65C
- Dielectric Strength: 500 VAC/sec. Max leakage 500 micro amp
- Connection: Wire or Terminal
- Weight: 85 g (0.19 Lbs)

Model	Rated Voltage	Voltage Range	Input Power	Rated Current	Ref. Speed	Max Airflow	Max Pressure			Noise
	VDC	VDC	W	A	RPM	CFM	M3/Min	Inch/H2O	mm	dB
TD8020-H-5	5	4~6	1.4	0.28	3400	40	1.13	0.18	4.57	36
TD8020-M-5	5	4~6	1.0	0.20	2800	32	0.91	0.11	2.79	29
TD8020-L-5	5	4~7	0.8	0.15	2400	27	0.76	0.09	2.29	25
TD8020-H-12	12	7~13.8	2.2	0.18	3400	40	1.13	0.18	4.57	36
TD8020-M-12	12	7~13.8	1.8	0.15	2800	32	0.91	0.11	2.79	29
TD8020-L-12	12	7~14	1.4	0.12	2400	27	0.76	0.09	2.29	25
TD8020-H-24	24	12~27.6	2.9	0.12	3400	40	1.13	0.18	4.57	31
TD8020-M-24	24	12~27.6	2.4	0.1	2800	32	0.91	0.11	2.79	29
TD8020-L-24	24	12~28	2.0	0.08	2400	27	0.76	0.09	2.29	25
TD8020-H-48	48	24~55	3.8	0.08	3400	40	1.13	0.18	4.57	36

Related Product Information

Please see our related items below for suggested products to use with this item:

- Metal Fan Guard: TWG-80
- Plastic Fan Guard: TPG-80
- Plastic Fan Filter: TFK-80-30, TFK-80-45
- Metal Fan Screen: TMS-80

Related Technical Information

-Optional Function Leads:

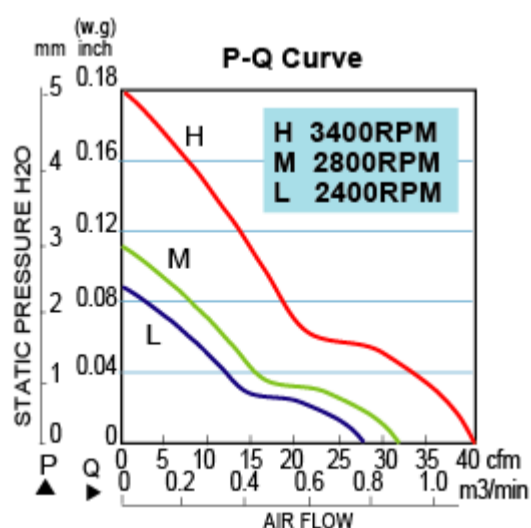
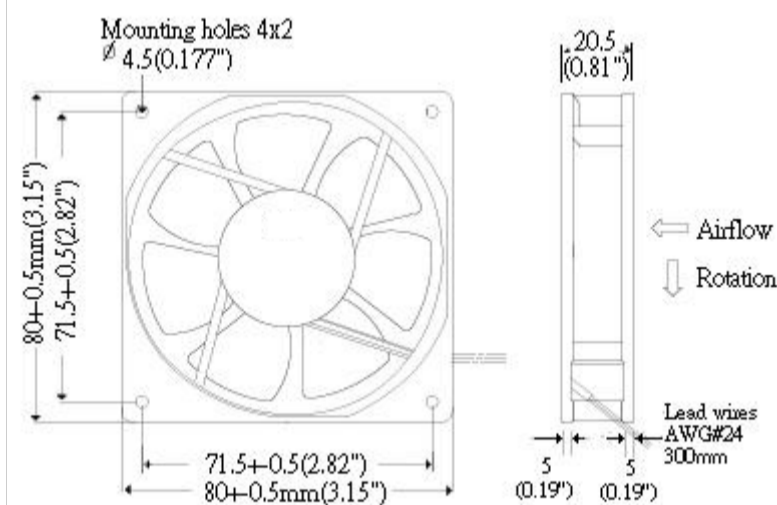
*Alarm, motor stop, cutoff sensor signals (L, run-Low, stop-High for alarm function, color yellow lead)

*Tach speed sensor output, open collector, 2 square waves per revolution, or TTL 4.4~5 VDC optional (T, white lead)

*Speed control:

- H, NTC thermistor thermal control 1800~3400RPM/4.7~10K ohm vs 45~20C(H, orange lead)
- P, Pulse Width Modulation, microprocessor programmable CPU speed control, 10~100%, full stop & 10 speed stages; 800~3800RPM (P, purple lead)
- V, Control voltage speed setting, Analog 0~10V vs speed RPM speed control via separate DC low voltage interface (V, gray lead)

Fan Performance Curves and Dimension



* TEI reserves the right to change data and specs without notice* Tests are at nominal rated voltage against zero static pressure* Specifications subject to change without notice, data tolerance +-10%

TEI, Inc., 3540 W. Sahara Ave., Las Vegas, NV, 89102

Tel: 702-220-7400; Fax: 775-628-8932; Email: sales@teifans.com